

30X HD TVI Outdoor IR High Speed PTZ Dome Camera

Model #: TVIPTZ-30XIR

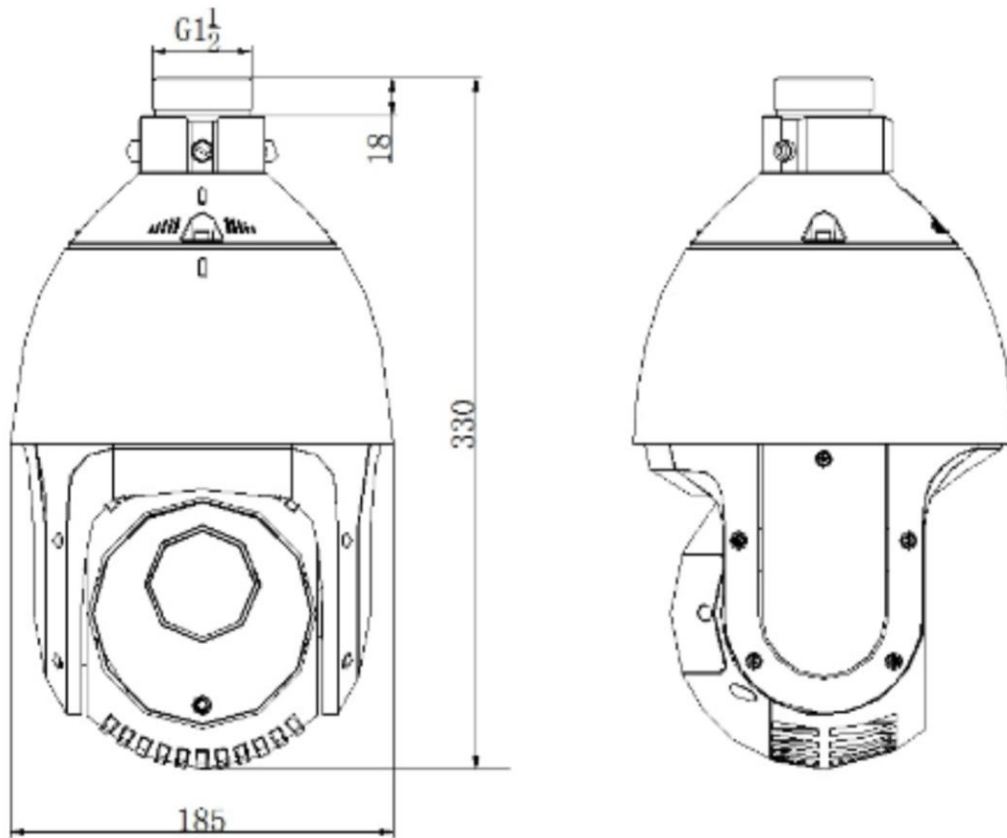


Features

- 2MP CMOS Image Sensor
- Full HD 1080P Video Output
- Adopt HDTV Technology
- 30x Optical Zoom,
- Support up the coax function
- 10 Built in High Power IR LEDs, (300 Ft. Night Vision)
- Privacy Masking, 3D DNR, DWDR, Smart IR
- True Day/Night
- 3D Intelligent Positioning
- 3 Years Warranty

Technical Specifications

Model No.	TVIPTZ-30XIR
Camera	
Image sensor	1/3" CMOS
Image Resolution	1920x1080
Signal System	PAL/NTSC
Min Illumination	Color: 0.02 Lux @(F1.6, AGC ON) B/W: 0 Lux With IR ON
White Balance	Auto/Manual/ATW/Indoor/Outdoor
AGC	Auto/Manual
S/N Ratio	> 50 db
3D DNR	Support
DWDR	Support
EIS	Support
Backlight Compensation	Support
Shutter Speed	NTSC: 1-1/10,000s
Day & Night	IR Cut Filter
Optical Zoom	30X 66.1°-2.46°
Privacy Mask	8 Privacy Mask, Max 8 Zones can be masked simultaneously
Focus Model	Auto/Manual
Lens	
Focal Length	4.3-129MM 30X
Zoom Speed	Approx. 3s
Angle of View	66.1°-2.46°
Min Working Distance	10mm(W)-1000mm(T)
Aperture	F1.6 -F4.4
Pan and Tilt	
Pan Range	360° Endless
Pan Speed	Pan Manual Speed: 0.6°~200°/s
Tilt Range	0°- 90° (Auto Flip)
Tilt Speed	3.5°~35°/s
Number of Preset Position	256
Patrol	8 Patrols, Up to 32 Presets per patrol
Pattern	4 Patterns, with total recording time no less than 10 mins
Power-off Memory	Support
Park Action	Preset/Patrol/Pattern/Pan Scan/Tilt Scan/Random Scan
PTZ Position Display	On/Off
IR Night Vision	
IR LEDs	10 High-Power IR LEDs
IR Distance	300 Ft
IR Intensity	Auto adjusted, Smart IR
Input/Output	
Monitor Output	BNC HD-TVI 1080P 1Vpp-75Ω
RS-485 Interface	Pelco-P, Pelco-D, Hikvision Protocol
UTC Function	Hikvision-C (OSD, Control Function)
General	
Menu Language	English
Power	DC 12V 4A, Day 10W (MAX), Night 30W(MAX)
Working Temperature	-20°C-60°C, ≤90%RH(frostless)
Mounting	Wall Mount Included
Weather proof rating	IP66, TVS 3,000V lightning protection, surge and voltage protection
Dimensions	300*300*470MM
Weight	5.5Kg (12.13 lbs)



Unit:mm

We reserve the right to modify product design and specification without notice and without incurring any obligation

For more information please contact a DSS Sales Representative

Toll Free: 1.888.467.8812 · Fax: 1.609.431.0932 · Email: sales@dss-cctv.com

www.dss-cctv.com